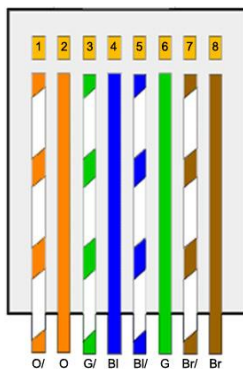
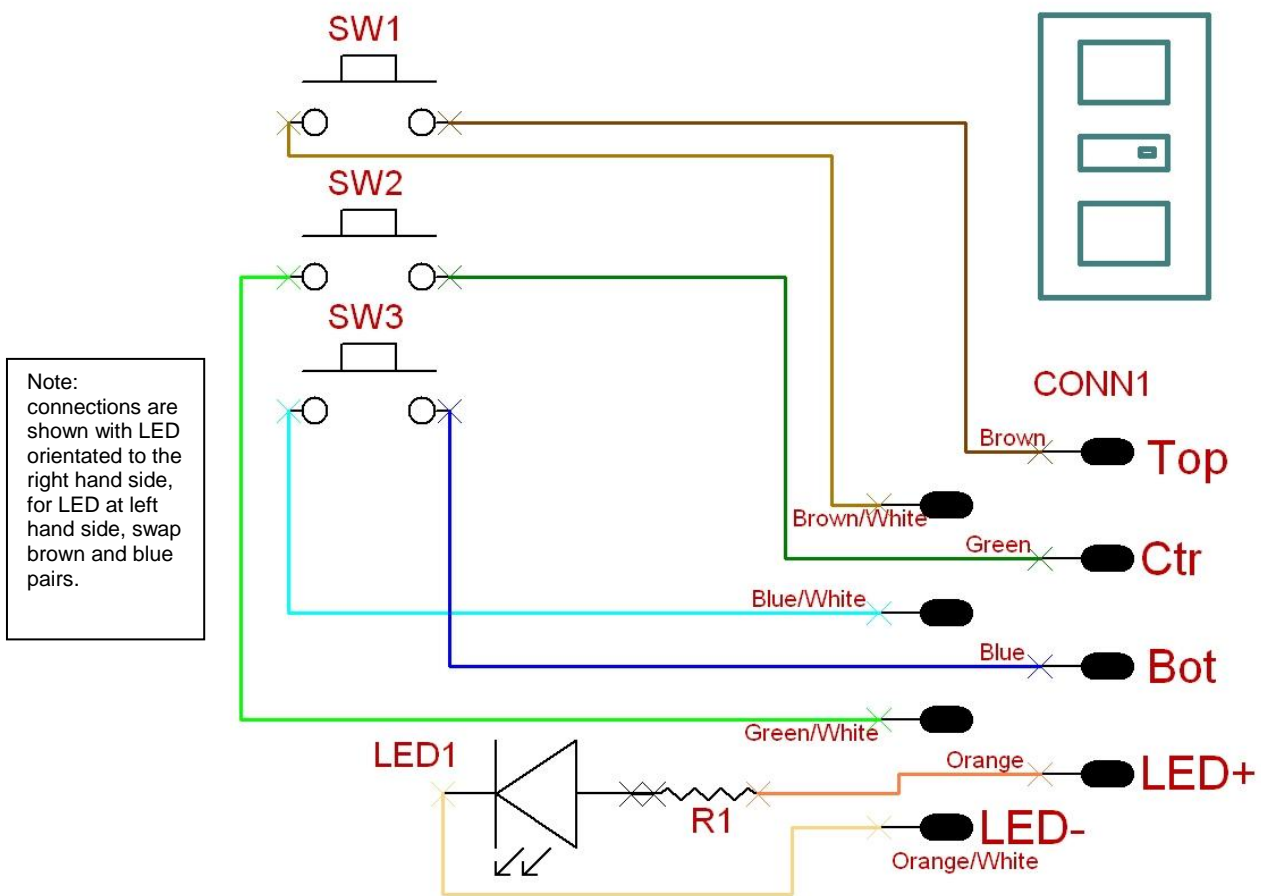


ADS Electronics

Electronics design and consultancy
Specialising in sub-system design, Micropower systems,
Lithium Battery control and general services to the electronics industry.

Connections for 3 Button GET Style Switch Module



568B

Crimp RJ45 Connector to 568B Standard